





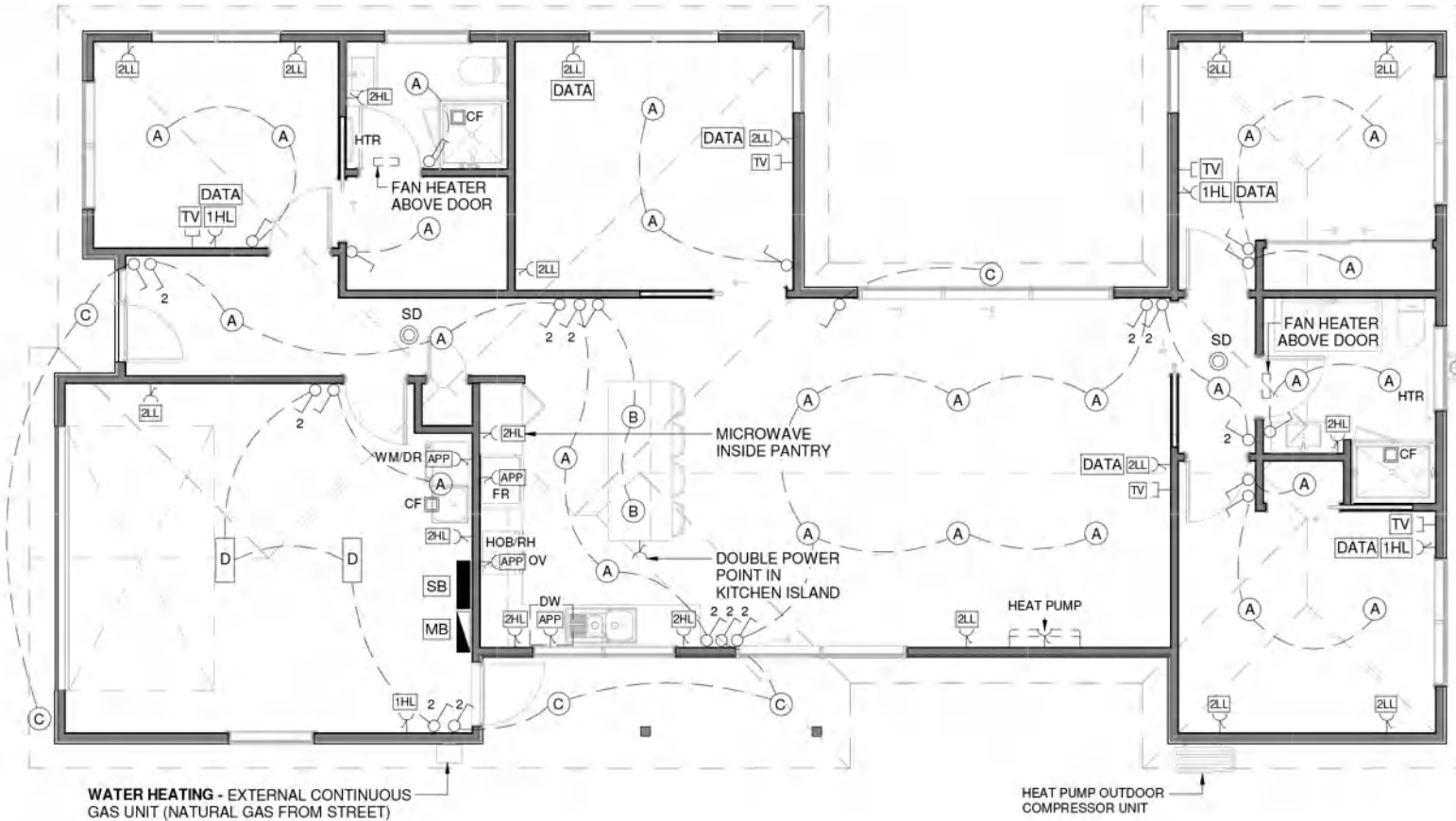




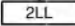
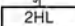
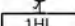
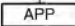
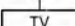



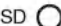
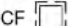
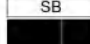

Floor area: 160.2m<sup>2</sup>  
Site area: 293m<sup>2</sup>



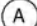



Primary wall cladding: Abodo horizontal rusticated weatherboards  
Feature wall cladding: Painted vertical shiplap weatherboards  
Roof cladding: Trapezoidal profile



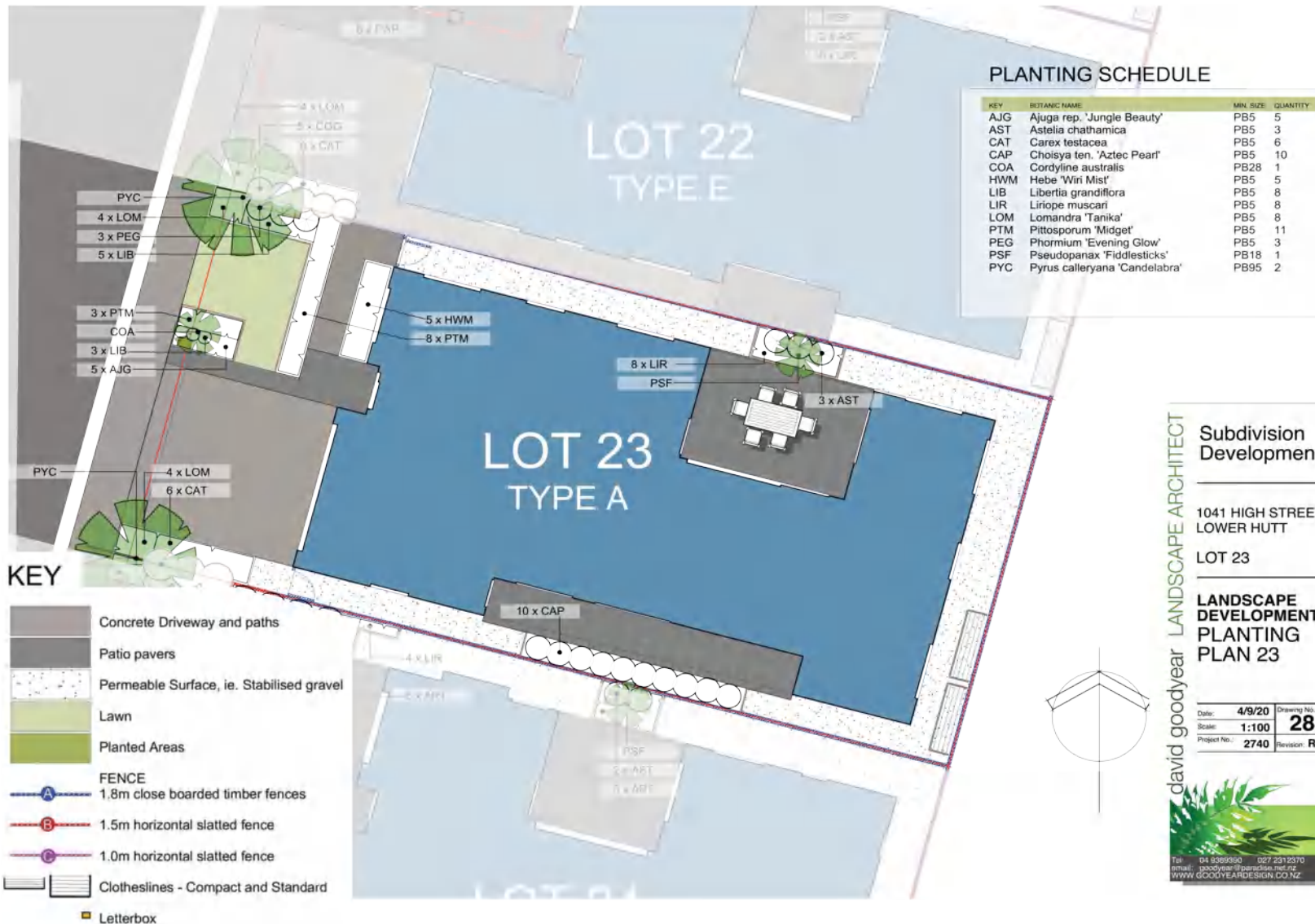
**LEGEND - ELECTRICAL**

-  2LL DOUBLE POWER SOCKET - LOW LEVEL (LL) 440 AFFL
-  2HL DOUBLE POWER SOCKET - HIGH LEVEL (HL) 1200 AFFL
-  1HL SINGLE POWER SOCKET - HIGH LEVEL (HL) 1200 AFFL
-  APP APPLIANCE POWER SOCKET
-  TV TV AERIAL OUTLETS
-  DATA DATA / TELEPHONE OUTLETS
-  LIGHT SWITCH - 1 WAY
-  LIGHT SWITCH - 2 WAY
-  SD SMOKE DETECTOR - 1/ HARD WIRED DETECTOR WITHIN 3 METERS OF ALL BEDROOM DOORS
-  CF CEILING EXTRACTOR FAN - ON BATHROOM, ENSUITE AND LAUNDRY  
\*WEISS FV110 IN-LINE EXTRACTOR FAN ON TIMER SWITCH DUCTED TO SOFFIT WITH 150mm DIA FLEXIBLE DUCTING
-  SB SWITCH BOARD / DATA HUB  
\*FIBRE FROM DATA HUB TO OUTSIDE CONNECTION POINT
-  MB METER BOX  
\*SMART METER (DOESN'T NEED TO BE OUTSIDE)

**LEGEND - LIGHTING**

-  A RECESSED LED DOWNLIGHT - TYPE IC RATED  
\* INSULATION CAN BE INSTALLED OVER THE TOP OF THE RECESSED LUMINAIRE
-  B PENDANT LED LIGHTS - REFER TO CLIENT SPEC. FOR SELECTIONS
-  C EXTERIOR LIGHT SOFFIT MOUNTED
-  D LED BATTEN LIGHTS FOR GARAGE





david goodyear LANDSCAPE ARCHITECT

**Subdivision Development**

1041 HIGH STREET  
LOWER HUTT

LOT 23

**LANDSCAPE DEVELOPMENT PLANTING PLAN 23**

Date:	4/9/20	Drawing No:	28
Scale:	1:100	Project No.:	2740
		Revision:	R0

Tel: 04 8389390 027 231 2570  
 Email: goodyear@paradise.net.nz  
 WWW.GOODYEARDISIGN.CO.NZ